

Caddy

OWNER'S MANUAL



SilverStar 
A Division of Pride Mobility Products® Corp.

SAFETY GUIDELINES

The symbols below are used throughout this owner's manual and on the product to identify warnings and important information. It is very important for you to read them and understand them completely.



WARNING! Failure to follow designated procedures can cause either personal injury, component damage, or malfunction (black symbol on yellow triangle with black border).



MANDATORY! These actions should be performed as specified. Failure to perform mandatory actions can cause injury to personnel and/or damage to equipment (white symbol on blue dot with white border).



PROHIBITED! These actions should be prohibited. These actions should not be performed at any time or in any circumstances. Performing a prohibited action can cause injury to personnel and/or damage to equipment (black symbol with red circle and red slash).

Please fill out the following information for quick reference:

Pride Provider: _____
Address: _____
Phone Number: _____
Purchase Date: _____ Serial Number: _____

NOTE: This owner's manual is compiled from the latest specifications and product information available at the time of publication. We reserve the right to make changes as they become necessary. Any changes to our products may cause slight variations between the illustrations and explanations in this manual and the product you have purchased.

Copyright © 2005
Pride Mobility Products Corp.
INFMANU3111/Rev A/August 2005

This product is manufactured by:
Silver Star Mobility
578 Mason Way
Medford, Oregon 97501

C O N T E N T S

I. INTRODUCTION.....	4
II. SAFETY	6
III. INSTALLATION	8
IV. PRODUCT INFORMATION.....	10
V. WARRANTY	11

I . I N T R O D U C T I O N

Welcome to Pride Mobility Products Corporation (Pride). Congratulations on the purchase of your new Caddy Wheelchair Carrier. We are certain that the design features and trouble-free operation will add convenience to your daily living and ensure complete satisfaction.

At Pride, your safety is important to us. **Please read and follow all instructions in this guide before using your wheelchair carrier for the first time.** These instructions were produced for your benefit. Your understanding of these instructions is essential for the safe operation of your new wheelchair carrier.

Pride is not liable for damage to property or personal injury arising out of the unsafe use of a Caddy Wheelchair Carrier. Pride is also not liable for any property damage or personal injury arising out of the failure of any person and/or user to follow the instructions and recommendations set forth in this manual or any other instructions or recommendations contained in other related literature issued by Pride or contained on the Caddy Wheelchair Carrier itself.

INTERNET AND PRIVATE PURCHASES

If you purchased your product over the internet or from a previous owner and you have any questions about the safe use and/or maintenance of the product, please visit Pride's web site www.pridemobility.com or contact your authorized Pride Provider.

PURCHASER'S AGREEMENT

By accepting delivery of this product, you promise that you will not change, alter, or modify this product or remove or render inoperable or unsafe any guards, shields, or other safety features of this product; fail, refuse, or neglect to install any retrofit kits from time to time provided by Pride to enhance or preserve the safe use of this product.

INFORMATION EXCHANGE

We want to hear your questions, comments, and suggestions about this manual. We would also like to hear about the safety and reliability of your new wheelchair carrier, and about the service you received from your authorized Pride Provider. Please notify us of any change of address, so we can keep you apprised of important information about safety, new products, and new options that can increase your ability to use and enjoy your new wheelchair carrier. Please feel free to contact us at the address below:

Pride Mobility Products Corporation
Attn.: Customer Care Department
182 Susquehanna Ave.
Exeter, PA 18643-2694

customer care@pridemobility.com
800.424.8205

NOTE: If you ever lose or misplace your product registration card or your copy of this guide, contact us and we will be glad to send you a new one immediately.

I . I N T R O D U C T I O N

PRIDE OWNERS CLUB

As an owner of a Pride product, you are encouraged to enroll in the Pride Owners Club. Complete and return your enclosed product registration card or visit Pride's web site at www.pridemobility.com. As a registered member, each time you visit our site, you have access to the most interactive, educational venue available today for people with mobility needs, their families, and friends.

From our home page, select "Owners Club" to enter a page dedicated to current and potential Pride product owners. You will gain access to interviews, stories, recreation ideas, daily living tips, product and funding information, and interactive message boards. These message boards invite you to communicate with other Pride customers as well as Pride representatives who are available to assist you with any questions or concerns you may have.

II. SAFETY

PRODUCT SAFETY SYMBOLS

The symbols below are used on the wheelchair carrier to identify warnings, mandatory actions, and prohibited actions. It is very important for you to read and understand them completely.



Read and follow the information in the owner's manual.



Maximum lifting capacity.



Do not use as a step.



Wheelchair carrier intended for use with unoccupied wheelchair. Do not use carrier to lift people.

LIFTING CAPABILITIES

The Caddy Wheelchair Carrier is designed for a maximum weight allowance of 100 lbs. (45.35 kg). Under no circumstances should the Caddy Wheelchair Carrier be made to exceed this weight limit. Subjecting the wheelchair carrier to the strain of carrying more than it is designed to may cause it to fail, resulting in damage to the wheelchair and/or the user. Refer to the wheelchair owner's manual for information on the overall weight of the chair.

WARNING! Prevent vehicle damage! Do not exceed the load limits of your vehicle or hitch system as specified by the vehicle manufacturer.



WARNING! Adding accessories will increase the weight of your wheelchair. Verify with your authorized Pride Provider that the total weight of your wheelchair, including additions, does not exceed the maximum weight allowance.

WARNING! The Caddy Wheelchair Carrier is intended for the transport of unoccupied wheelchairs only. Attaching anything other than a wheelchair to the carrier is done at the user's own risk. Pride accepts no liability for damage or injury resulting from such use.

II. SAFETY

INSTALLATION

Your Caddy Wheelchair Carrier is designed to be mounted to a vehicle hitch system. Before installation, ensure that the hitch shows no signs of rust or wear and that the front and rear vehicle suspension is acceptable. If any vehicle alterations are necessary, make sure that you fully understand the instructions for drilling or cutting before making any alterations.



WARNING! Before drilling or cutting into the vehicle, make absolutely certain through visual inspection that there are no obstructions in the path of the drill bit, such as the fuel tank, exhaust pipes, or electrical wires.

INSPECTION

Before using the Caddy Wheelchair Carrier, check the device for wear or damage. Contact your authorized Pride Provider for repair or replacement. Regularly inspect the metal components for scratches. Treat any problem areas with a rust inhibitor or metal sealant.

TRANSPORT VEHICLE PRECAUTIONS



WARNING! Make sure your vehicle is parked on flat, level ground before attempting to load or remove a wheelchair onto or from the carrier.

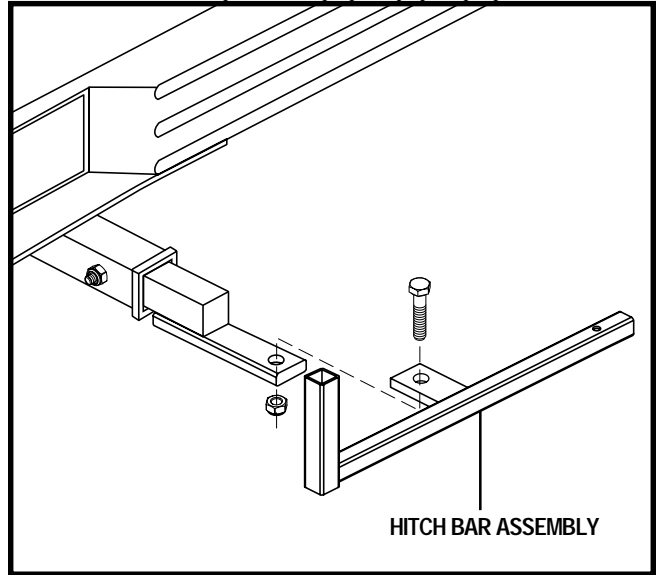
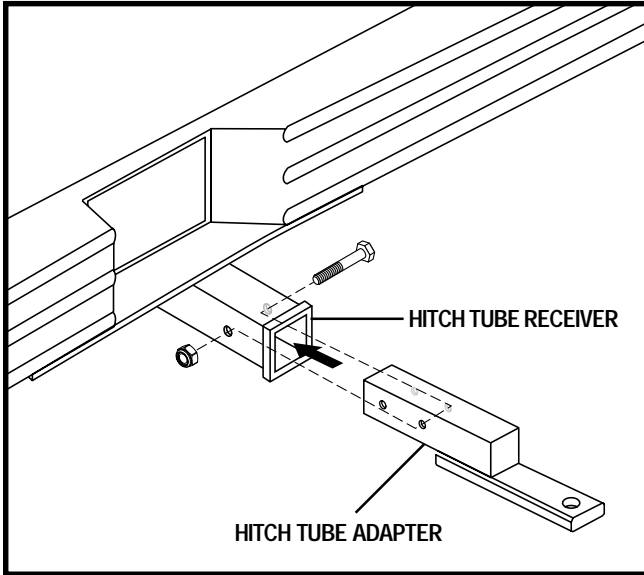
WARNING! Use extreme caution when driving with the carrier installed on your vehicle. Be aware that the carrier extends away from the back of the vehicle and extra clearance is needed when backing up, turning, parking, or driving through driveway entrances/exits. Drive slowly when negotiating pot holes, road bumps, and railroad tracks.

III. INSTALLATION

CADDY WHEELCHAIR CARRIER INSTALLATION

The Caddy Wheelchair Carrier is designed to be easily installed into any vehicle equipped with a Class 1, Class 2, or Class 3 hitch receiver. The hitch receiver should be installed no more than 20 in. (50.8 cm) from the bottom of the hitch tube to the ground. If your vehicle is equipped with a Class 2 or Class 3 hitch tube receiver, a Class 1 hitch adapter will need to be installed. Contact your authorized Pride Provider for more information.

NOTE: *Once installed, the wheelchair carrier may obstruct the view of the vehicle license plate. Research the local laws for license plate obstruction in your area before installing the wheelchair carrier.*

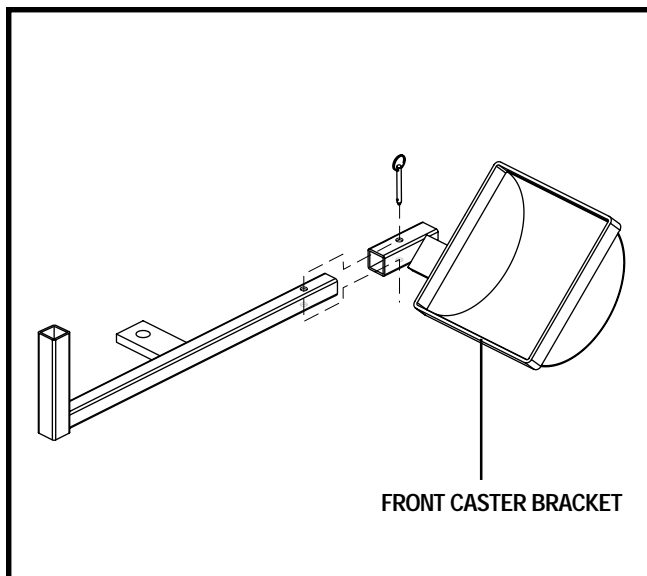


1. Install the hitch tube to the vehicle hitch tube receiver. Insert the hitch bolt from the passenger's side through to the driver's side of the hitch.
2. Attach the hitch bar assembly to the hitch tube.

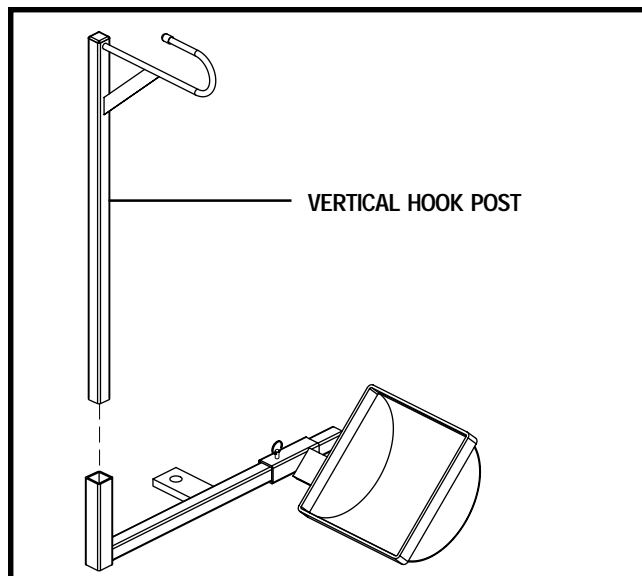


WARNING! Threading the hitch bolt from the wrong side or allowing the bolt to turn while tightening the nut will dislodge the threaded insert in the hitch tube.

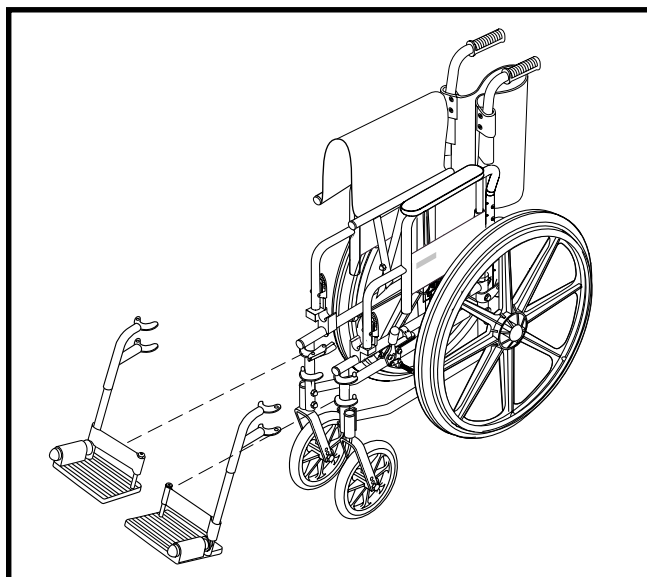
III. INSTALLATION



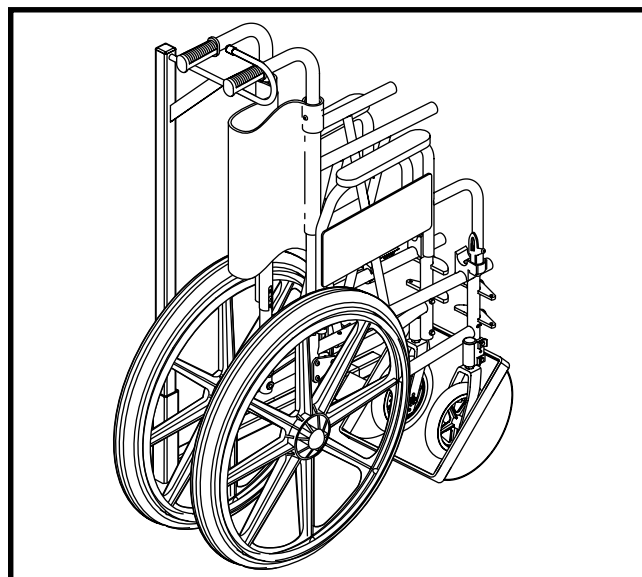
3. Install the front caster bracket and secure with the detent pin.



4. Install the vertical hook post.



5. Remove the foot riggings from the wheelchair and fold the chair. Refer to the wheelchair owner's manual for more information.



6. Lift the folded wheelchair and place the front caster wheels in the front caster bracket. Secure the wheelchair handles over the vertical hook post.

WARNING! Engage the park brakes on the wheelchair to prevent unintended movement. Refer to the wheelchair owner's manual for more information.



WARNING! Make sure the wheelchair is properly secured to the carrier before transport. It is the responsibility of the carrier user to ensure proper wheelchair securement.

WARNING! Lifting weight beyond your physical capability can result in personal injury. Ask for assistance if necessary when attaching the wheelchair to the carrier.

IV. PRODUCT INFORMATION

CARE AND MAINTENANCE

Your wheelchair carrier requires a minimal amount of care and maintenance. If you do not feel confident in your ability to perform the maintenance listed below, you may schedule inspection and maintenance at your authorized Pride Provider. The following areas require periodic inspection and/or care and maintenance.

90-Day Maintenance Schedule

- Torque the hitch bolt.
- Check the wheelchair carrier for loose or damaged parts. Have your authorized Pride Provider repair or replace any problem parts before using the carrier.

General Cleaning Guidelines

The wheelchair carrier can be hand washed along with the vehicle with soap and water. However, automatic drive-through car washes should be avoided as they may interfere with and cause damage to the carrier.

Wheelchair Carrier Metal Components

- Check the wheelchair carrier for wear or damage. Contact your authorized Pride Provider for repair or replacement.
- Regularly inspect the metal carrier components for scratches. Treat any problem areas with a rust inhibitor or metal sealant.

If your wheelchair carrier is exhibiting wear that you feel is questionable in any way, contact your authorized Pride Provider immediately. Do not attempt to repair, adjust, or modify the manufacturer settings and materials.

SPECIFICATIONS	
Maximum Weight Allowance	100 lbs. (45.35 kg)
Total Weight of Carrier	15 lbs. (6.8 kg)
Maximum Hitch to Ground Clearance	20 in. (50.8 cm)

V . W A R R A N T Y

THREE-YEAR TRANSFERABLE LIMITED WARRANTY

For three (3) years from the date of purchase, Pride Mobility Products will repair or replace at our option, free of charge, any mechanical or electrical component found upon examination by an authorized representative of Pride to be defective in material and/or workmanship.

This warranty does not extend to those items, which may require replacement due to normal wear and tear.

- Labor, service calls, shipping, and other charges incurred for repair of the product, unless specifically authorized by Pride Mobility Products Corporation IN ADVANCE, are excluded.

Exclusions also include components with damage caused by:

- Contamination
- Abuse, misuse, accident, or negligence
- Battery fluid spillage or leakage
- Commercial use, or use other than normal
- Improper operation, maintenance, or storage
- Repairs and/or modifications made to any part without specific consent from Pride Mobility Products Corporation.
- Circumstances beyond the control of Pride

SERVICE CHECKS AND WARRANTY SERVICE

An authorized Pride Mobility Products Provider must perform warranty service. Do not return faulty parts to Pride Mobility Products without prior written authorization. All transportation costs and shipping damage incurred while submitting parts for repair or replacement is the responsibility of the purchaser.

Failure to follow the instructions, warnings, and notes in the owner's manual and those located on your Pride lift product can result in personal injury or product damage and will void Pride's product warranty.

There is no other express warranty.

IMPLIED WARRANTIES

Implied warranties, including those of merchantability and fitness for a particular purpose, are limited to one (1) year from the date of purchase and to the extent permitted by law. Any and all implied warranties are excluded. This is the exclusive remedy. Liabilities for consequential damages under any and all warranties are excluded.

Some states do not allow limitations on how long an implied warranty lasts or do not allow the exclusion of limitation incidental or consequential damages. The above limitation or exclusion may not apply to you.

This warranty gives you specific rights, and you may also have other rights, which vary from state to state.

Please fill out and return the product registration card to Pride Mobility Products. This will aid Pride in providing the best possible technical and customer service.

NOTES

NOTES

NOTES



578 Mason Way
Medford, OR 97501
www.silverstarmobility.com