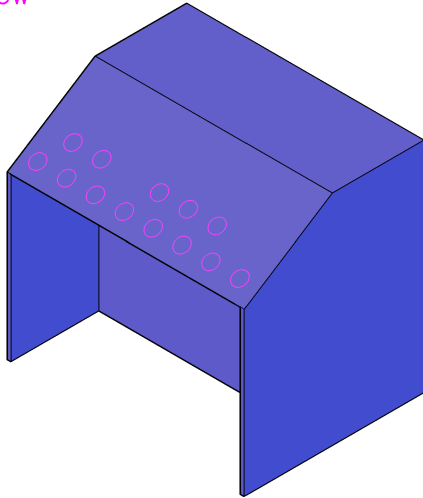
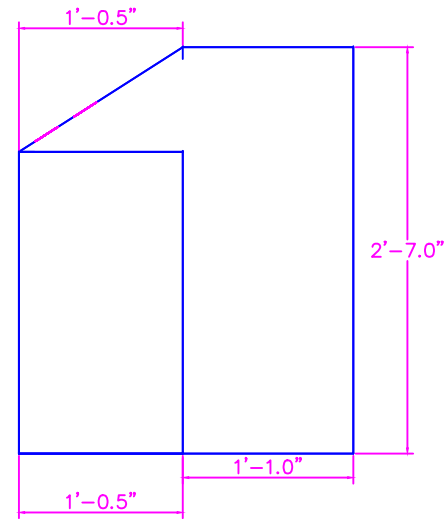


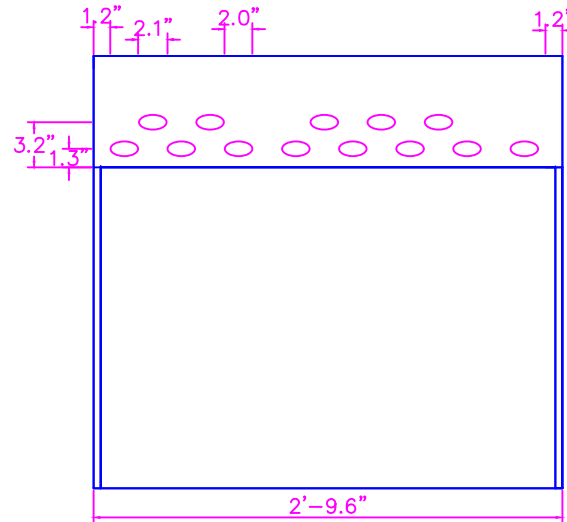
3D View



Side View



Front View



Name: Romero Perez
Class: Engr. 215

Date: 10/29/17
Assignment: Autocad #3 [Frame of the Xylophone Project]