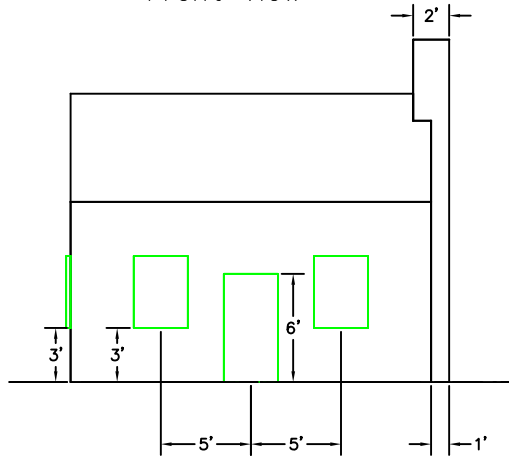
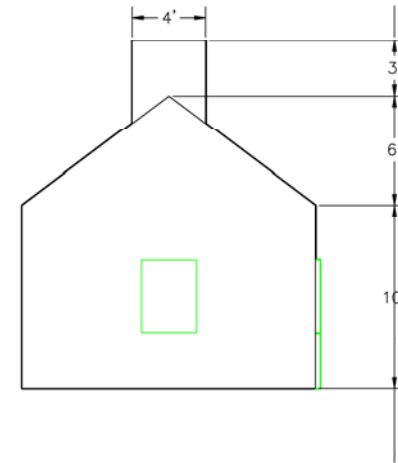


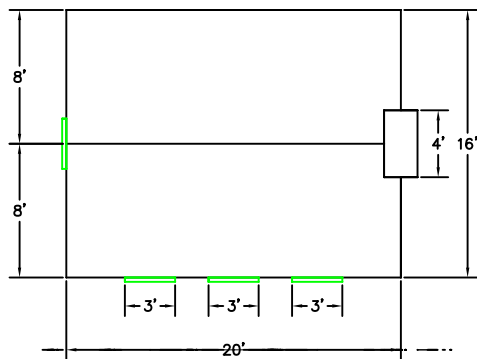
Front View



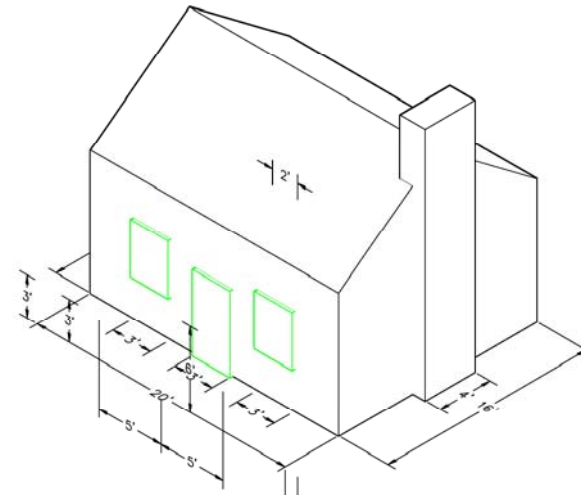
Left View



Top View



3D View



Name: Erik Kentfield
Class: ENGR215— Spring 2017

Date: 3/5/17
Assignment: AutoCAD#2— 3D House