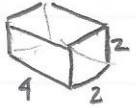


LeeLee

HOUSE

11/25/12

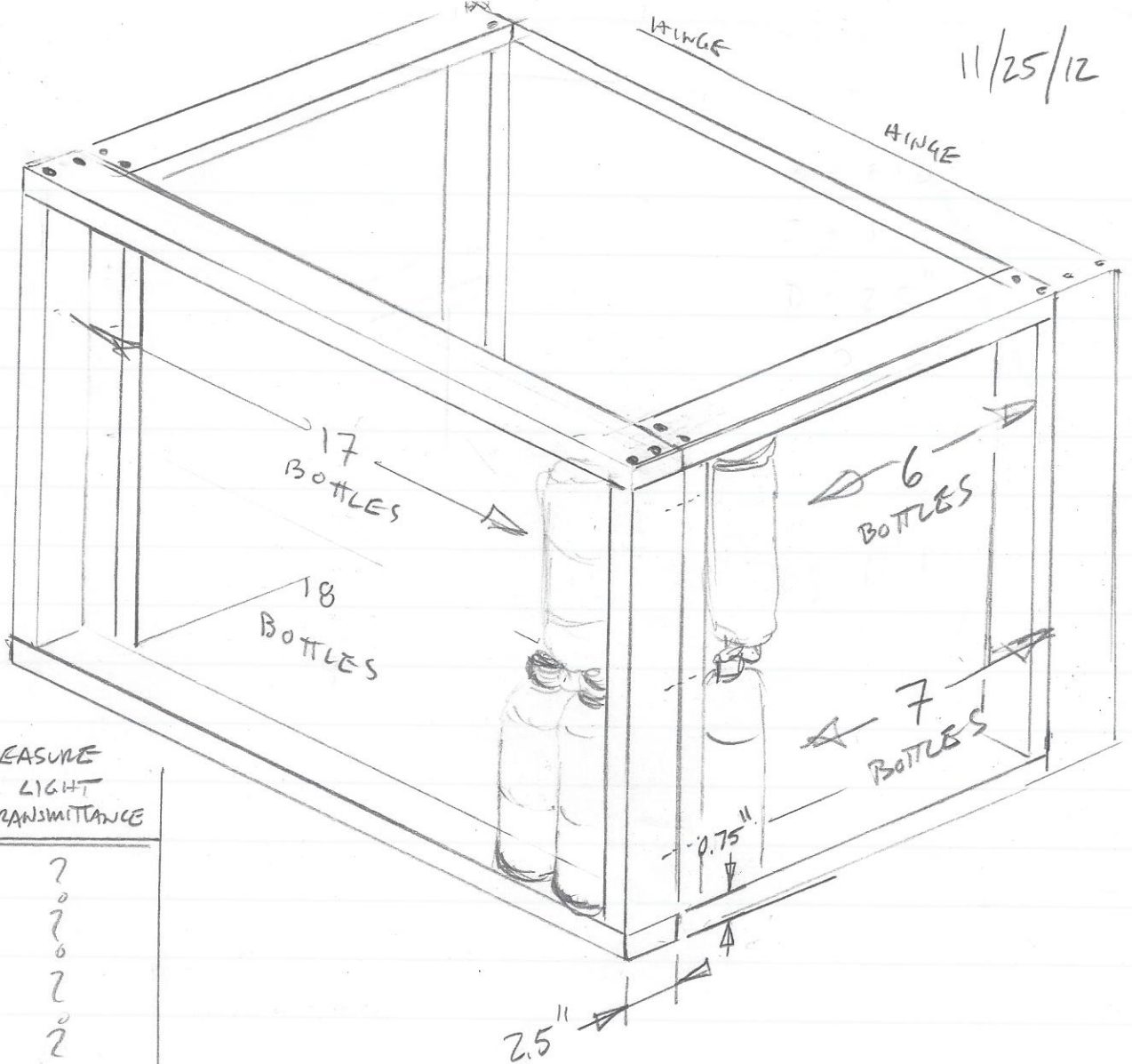


AVG BOTTLE  
CIRCUMFERENCE

$C = 8.12''$

$C = \text{Diameter} \times \pi$

$\text{Dia} = \frac{8.12''}{3.14} = 2.5''$



MEDIUM OR MATERIAL	MEASURE LIGHT TRANSMITTANCE
AIR	?
GLASS	?
PLASTIC	?
LeeLee House	?

ANALYSIS

- USING A LIGHT BULB, and
- LIGHT METER TO MEASURE TRANSMITTANCE AND COMPARE LEELEE HOUSE.
- CONCLUSIONS SHOULD DISCUSS
  - COST / BENEFIT OF YOUR DESIGN
  - Effectiveness of Light Transmittance to promote photosynthesis.
  - PORTABILITY
  - Validate insulation properties using thermometer measure outside and inside air temperatures.

\* 1" x 3" nominal = 0.75" x 2.5" actual

QTY	DESCRIPTION
122	1/2 Ltr bottles
6	1" x 3" x 8ft long - lumber (INDOOR PINE) *
60	2" LONG - WOOD SCREWS
3	SARAN WRAP (BOXES)
2	HINGES