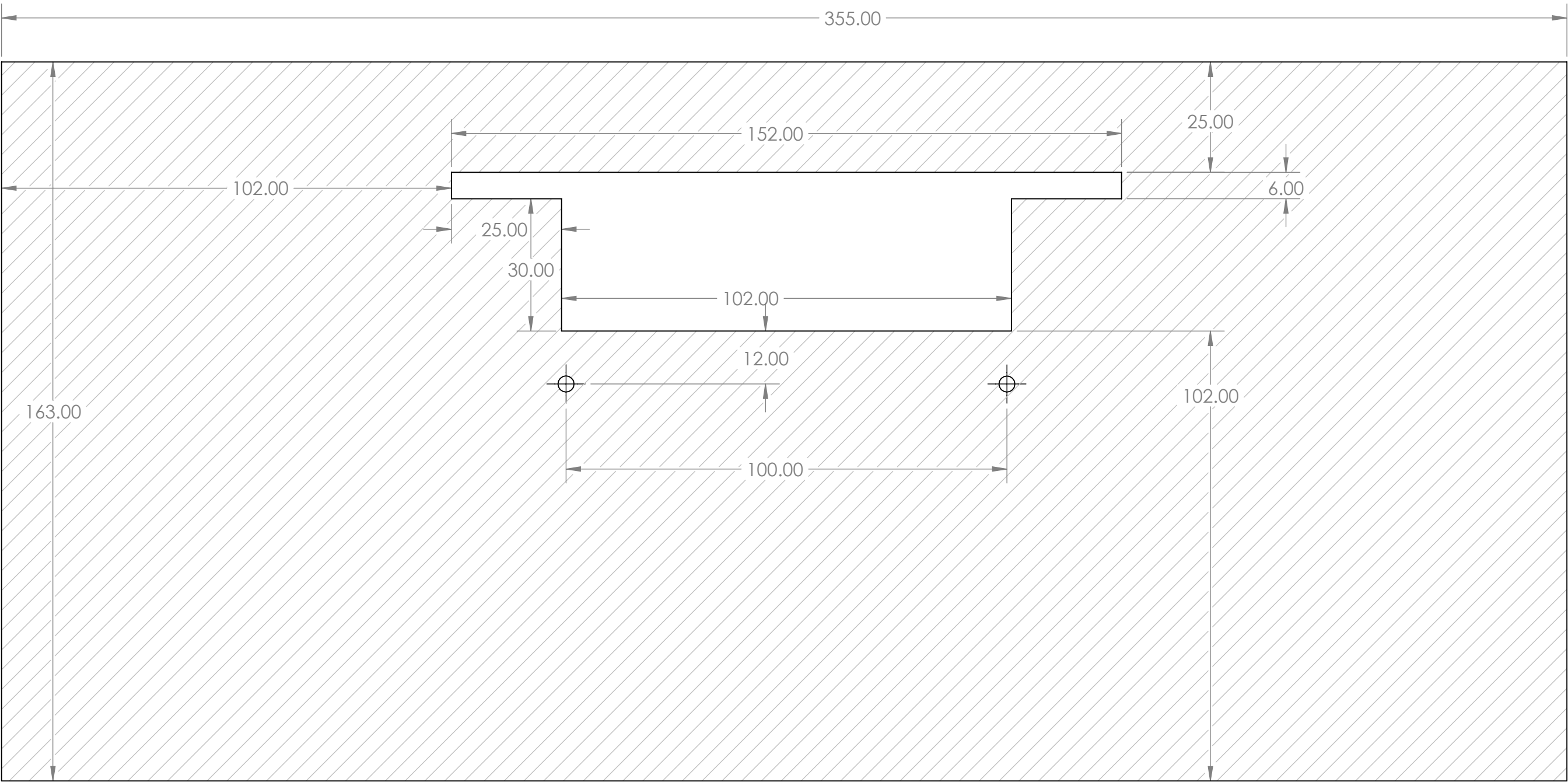
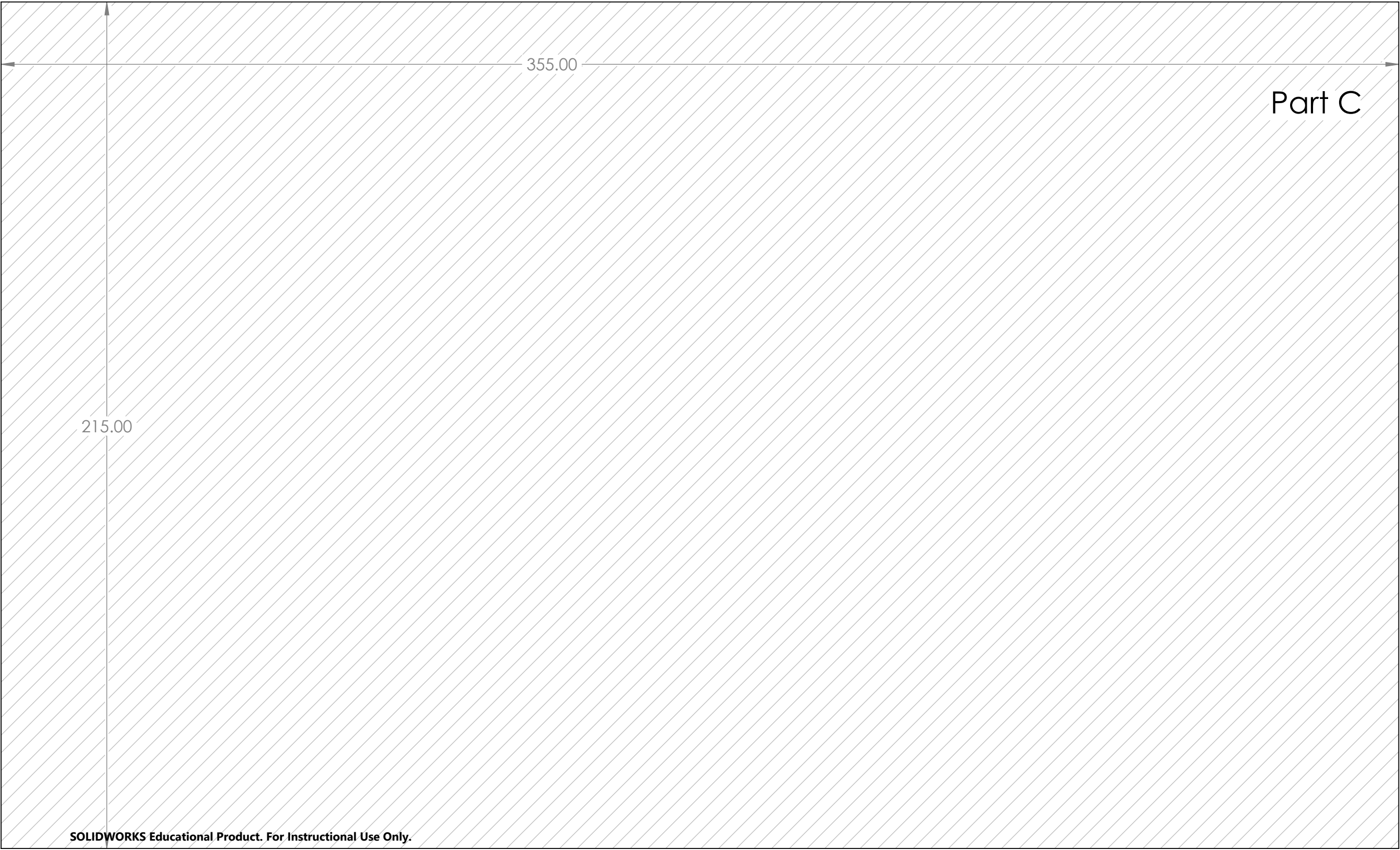


NOTE: This drawing is scaled 1:2

# Part B



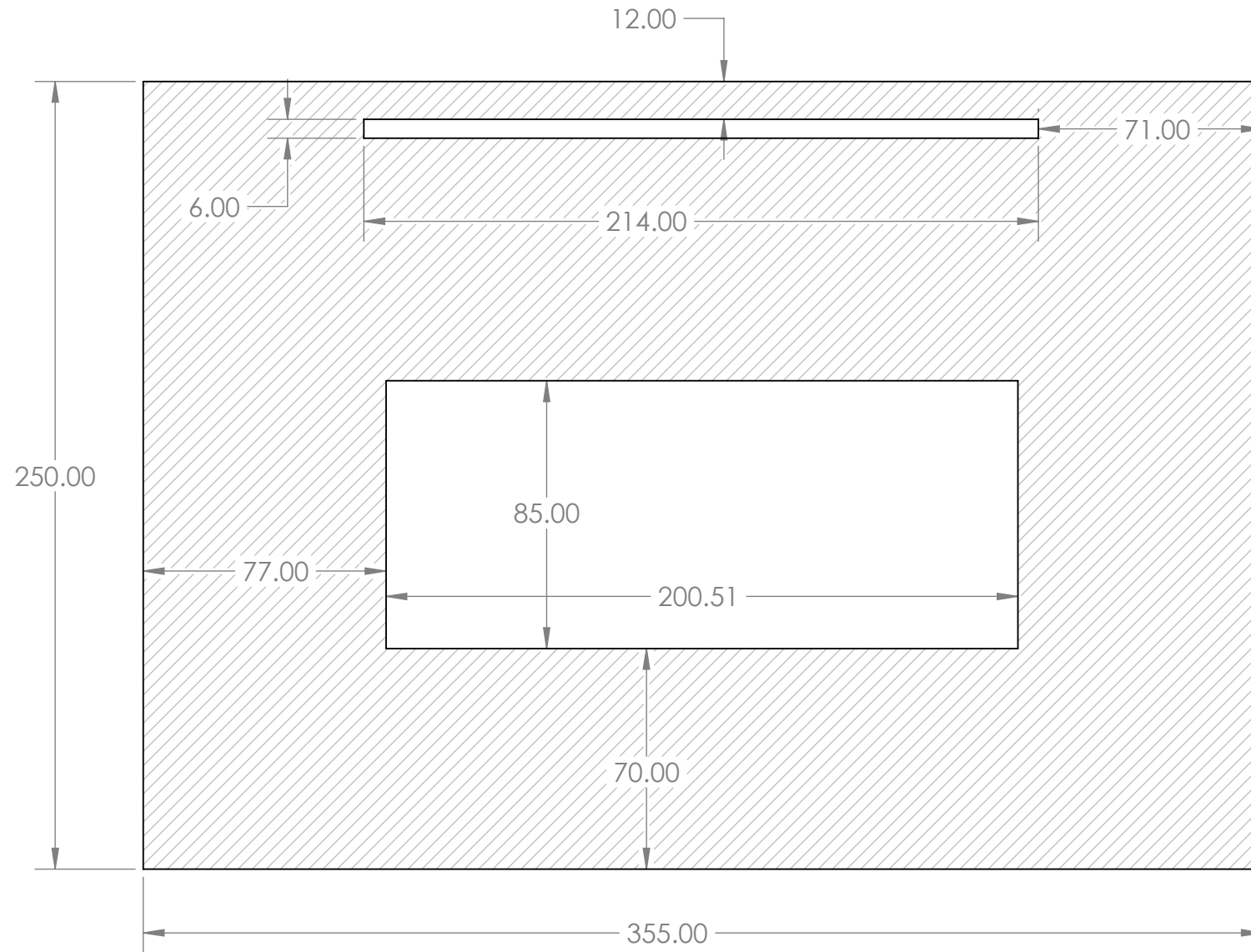


355.00

Part C

215.00

Part D



NOTE: This drawing is scaled 1:2

# Part E

