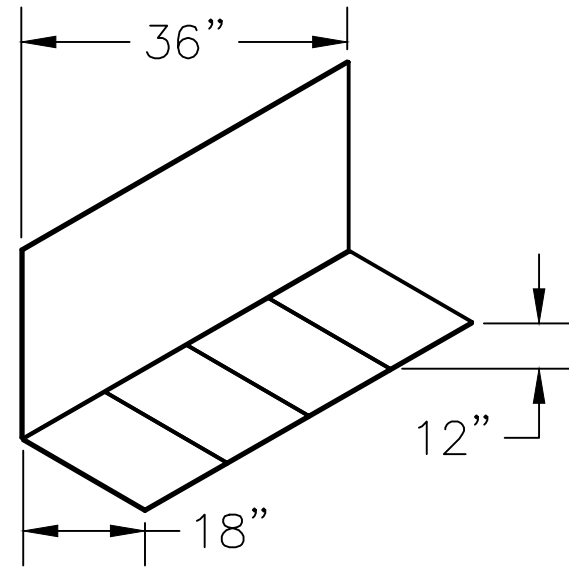
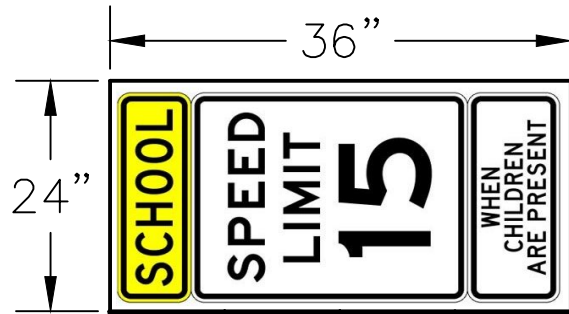
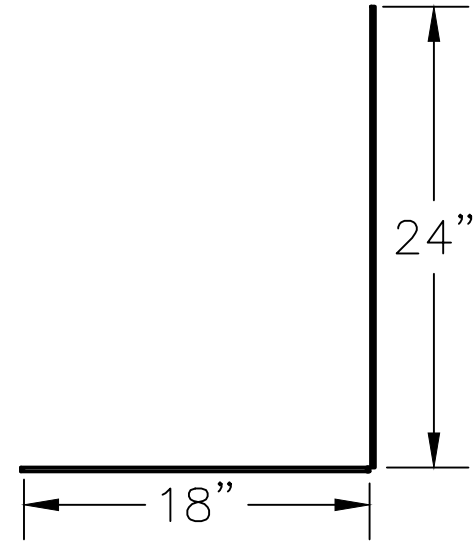
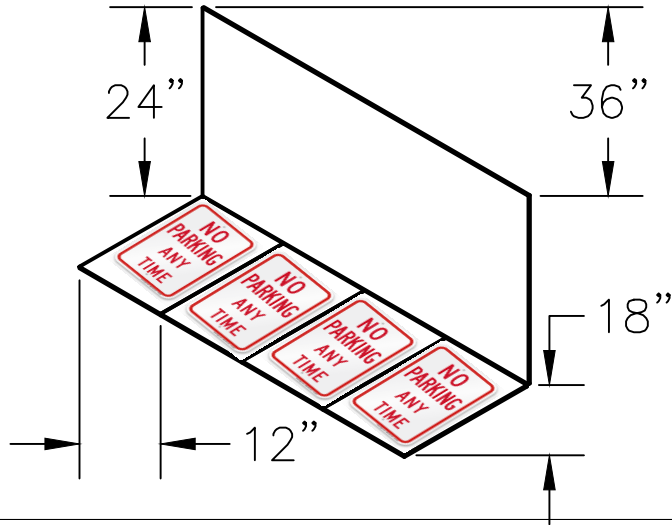


No Parking Sign (seats)/ School Sign(back) Bench Layout



Name: Michelle Campos
Class: ENGR 215 Spring 2018

Date: 04/01/2018
Assignment: AutoCAD#3