

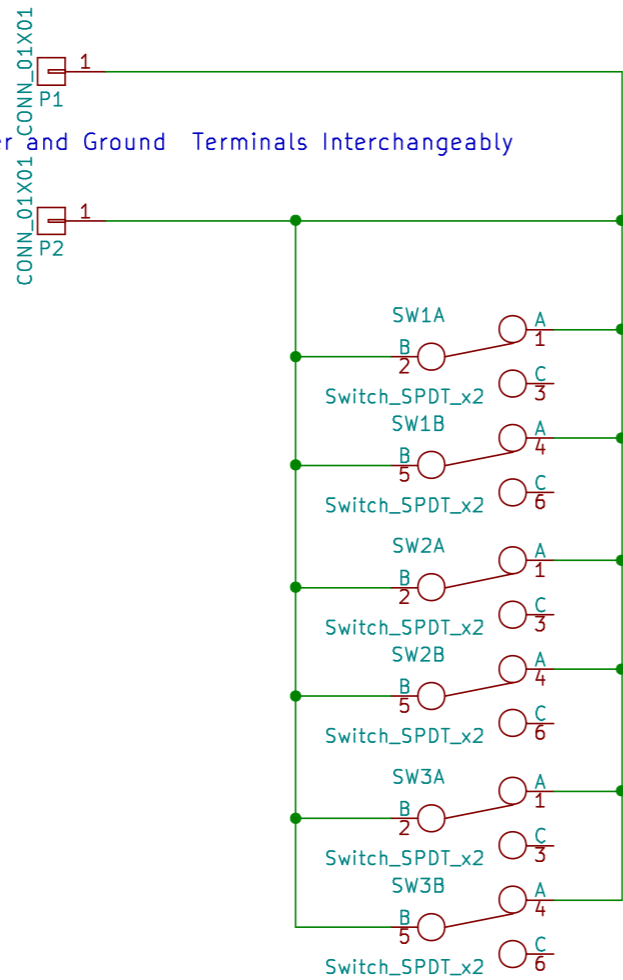


P3 is the hole in the middle of the PCB



P4, P5, P6, P7 is not part of circuitry.
 This is just used to trick the KiCAD to separate the four rectangles into different nets.
 That way i could measure trace length of each individual rectangles and match their length accurately

P1 and P2 can be used as Power and Ground Terminals Interchangeably



| | | |
|--|-------|---------------|
| Sheet: / | | |
| File: HotBedv2.sch | | |
| Title: Adjustable Heated Bed v3 | | |
| Size: A4 | Date: | Rev: 3 |
| KiCad E.D.A. kicad 4.0.0-2.201512072331+619438ubuntu14.04.1-stable | | Id: 1/1 |