

Step 1)

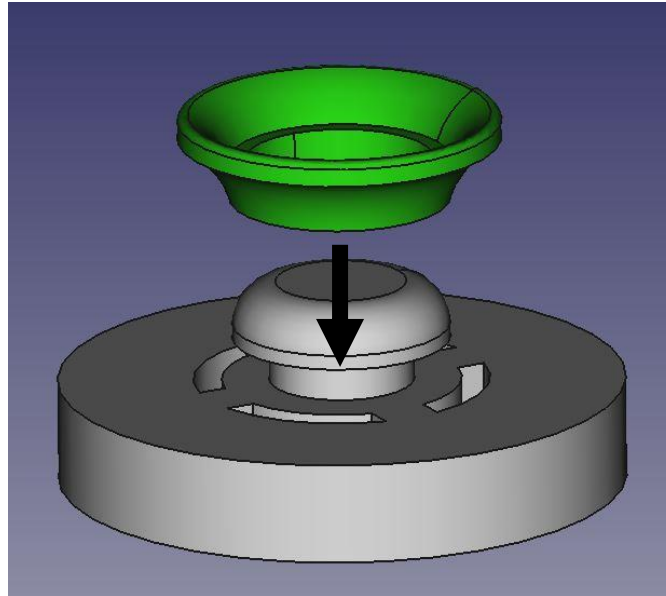
Needed:

X2 Valves

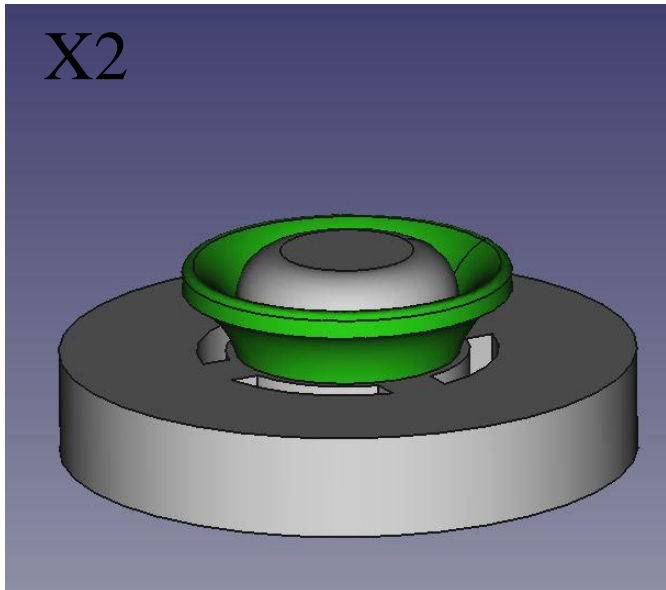
X2 Restrictors

Instructions:

Push valve onto restrictor



X2



Step 2)

Needed:

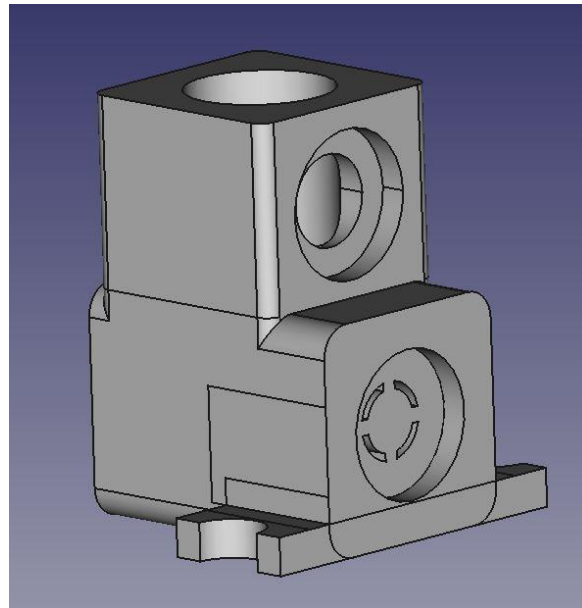
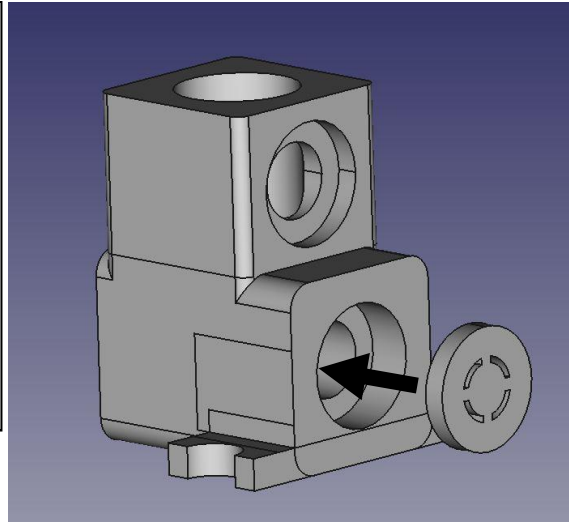
X1 Restrictor and Valve

X1 Pump Body 2

Instructions:

Push restrictor and valve into pump body 2

(Glue if necessary)



Step 3)

Needed:

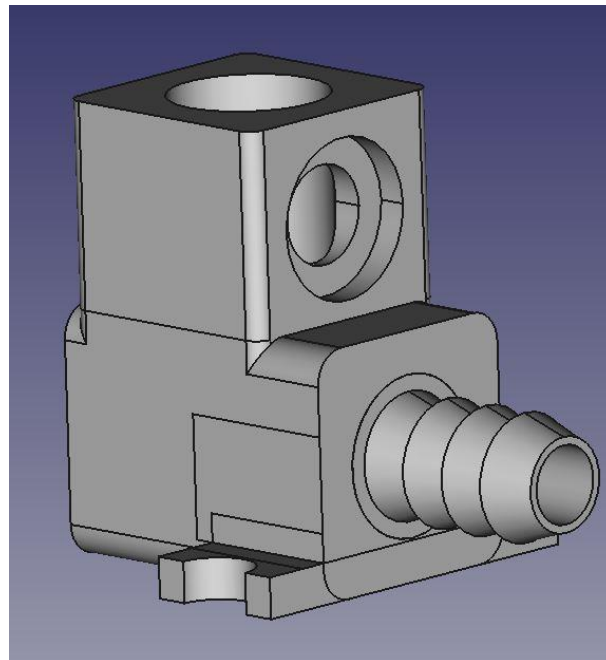
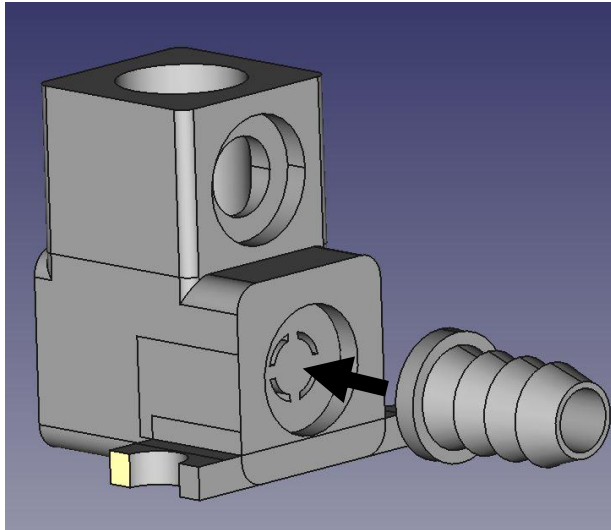
X1 Adapter (waste)

X1 Pump Body 2

Instructions:

Push Adapter into pump body 2

(Glue generously to create a seal)



Step 4)

Needed:

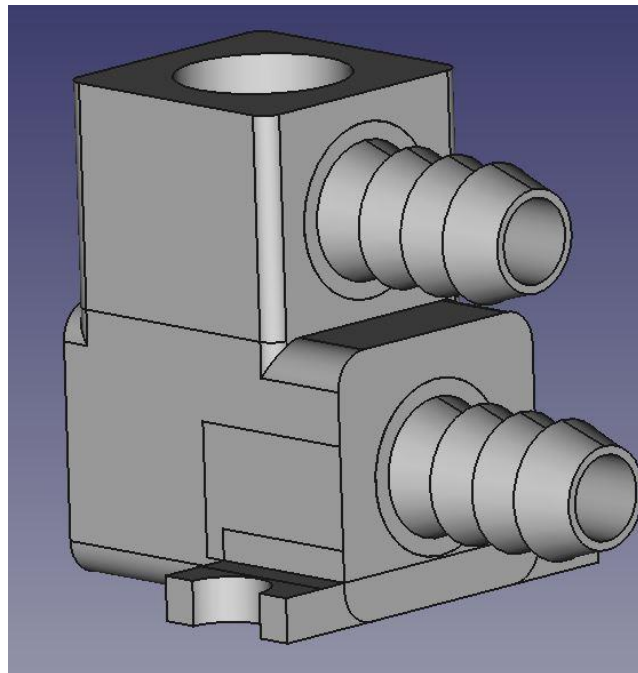
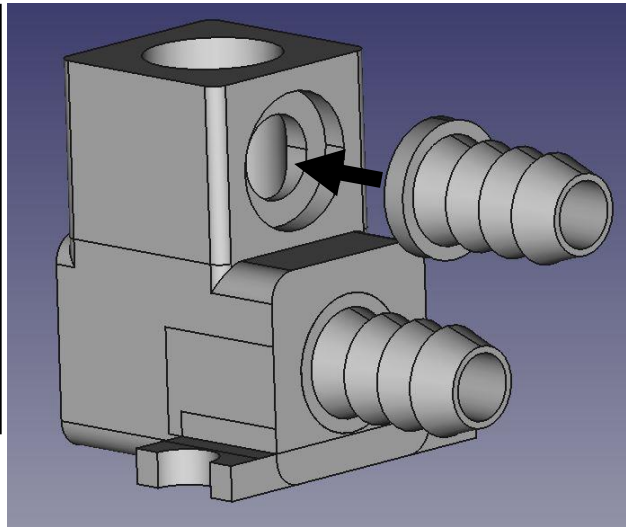
X1 Adapter (outlet)

X1 Pump Body 2

Instructions:

Push Adapter into pump body 2

(Glue generously to create a seal)



Step 5)

Needed:

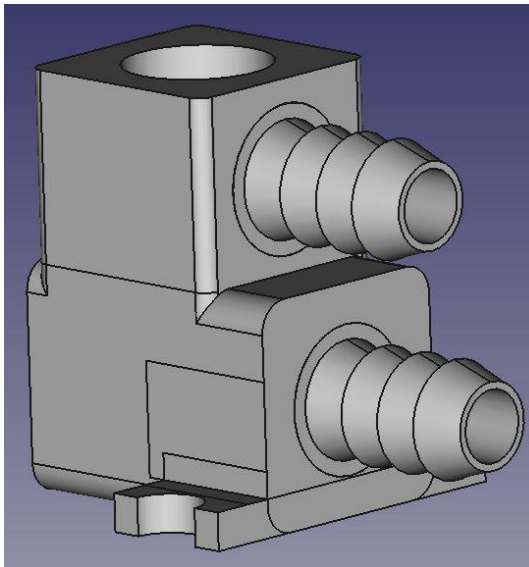
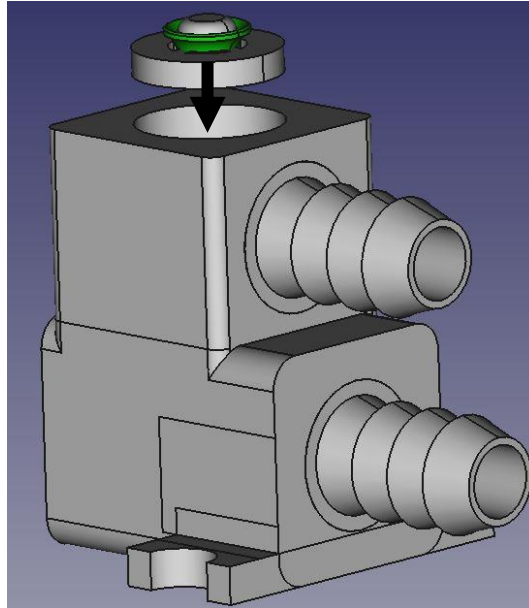
X1 Restrictor and valve

X1 Pump Body 2

Instructions:

Push Restrictor into pump body 2 about 5mm below the outlet adapter.

(Glue if necessary)



Step 6)

Needed:

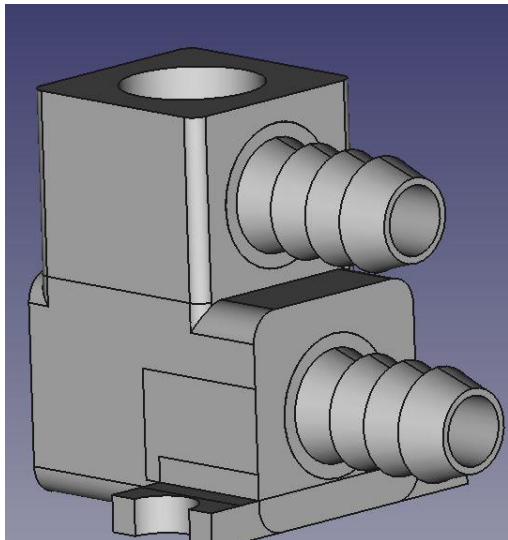
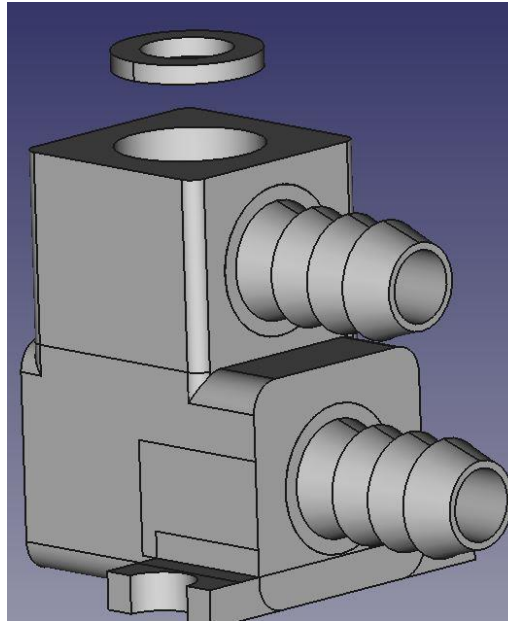
X1 Valve restrictor

X1 Pump Body 2

Instructions:

Push Restrictor into pump body 2 so it rests on the restrictor and valve.

(Glue if necessary)



Step 7)

Needed:

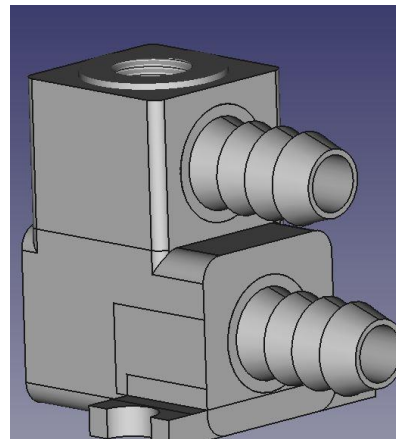
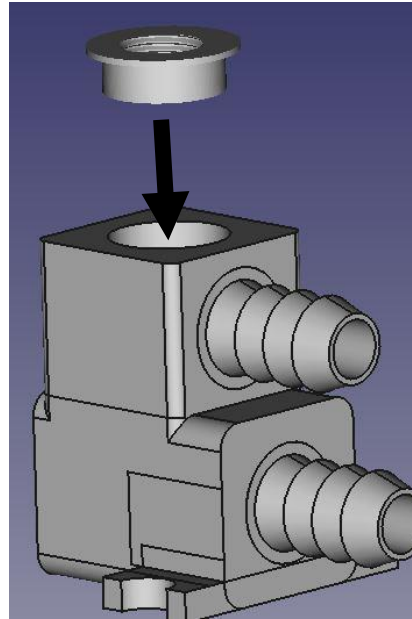
X1 Threads

X1 Pump Body 2

Instructions:

Push Threads into pump body 2 so it seats fully into the pump body

(Glue generously to create a seal)



Step 8)

Needed:

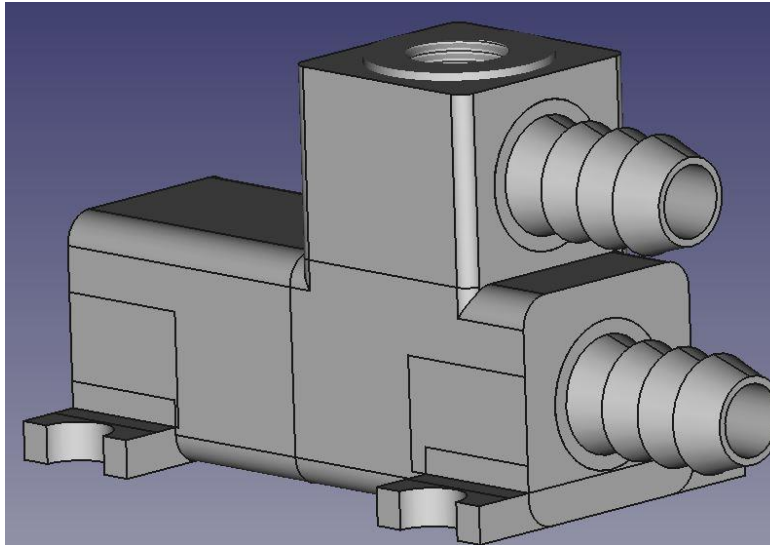
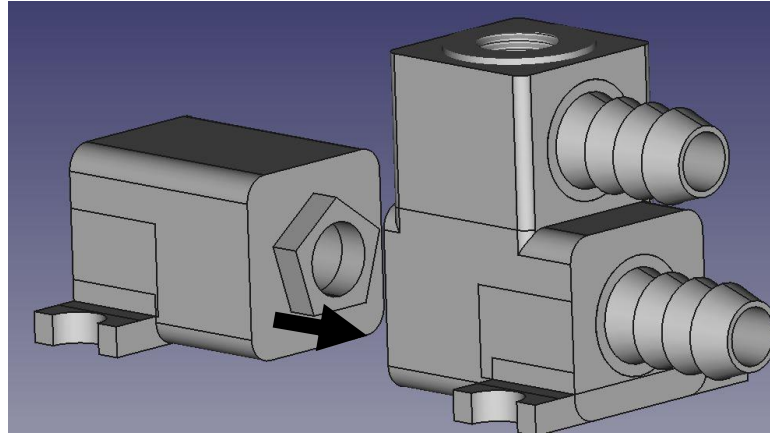
X1 Pump Body 1

X1 Pump Body 2

Instructions:

Push pump body 1 into pump body 2

(Glue generously to create a seal)



Step 9)

Needed:

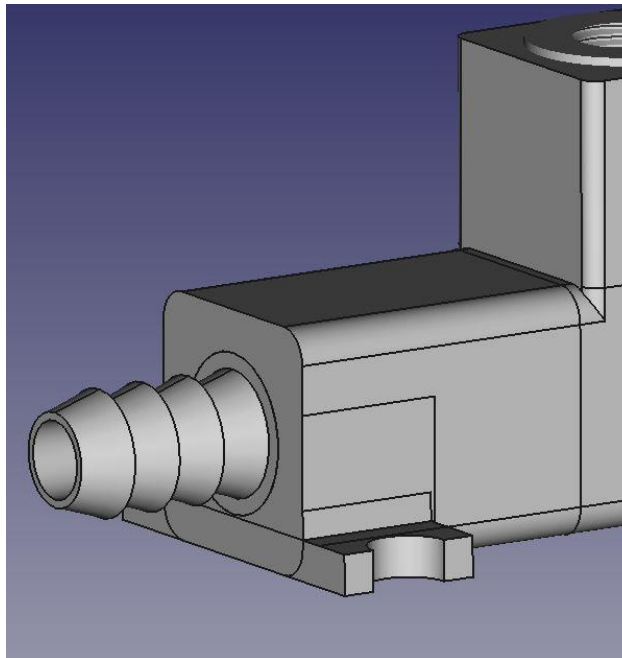
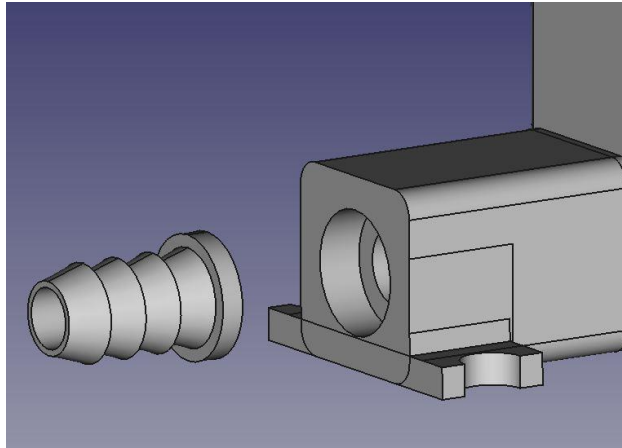
X1 Adapter

X1 Pump Body

Instructions:

Push adapter into pump body

(Glue generously to create a seal)



Step 10)

Needed:

X1 Pop Bottle

X1 Pump Body

1" ID Hoses

Instructions:

Thread pop bottle into the top.

Attach hoses onto the inlet and outlet. A hose can be attached to the waste outlet if desired.

