

4

3

2

1

D

D

PRODUCED BY AN AUTODESK STUDENT VERSION

PRODUCED BY AN AUTODESK STUDENT VERSION

B

B

A

A

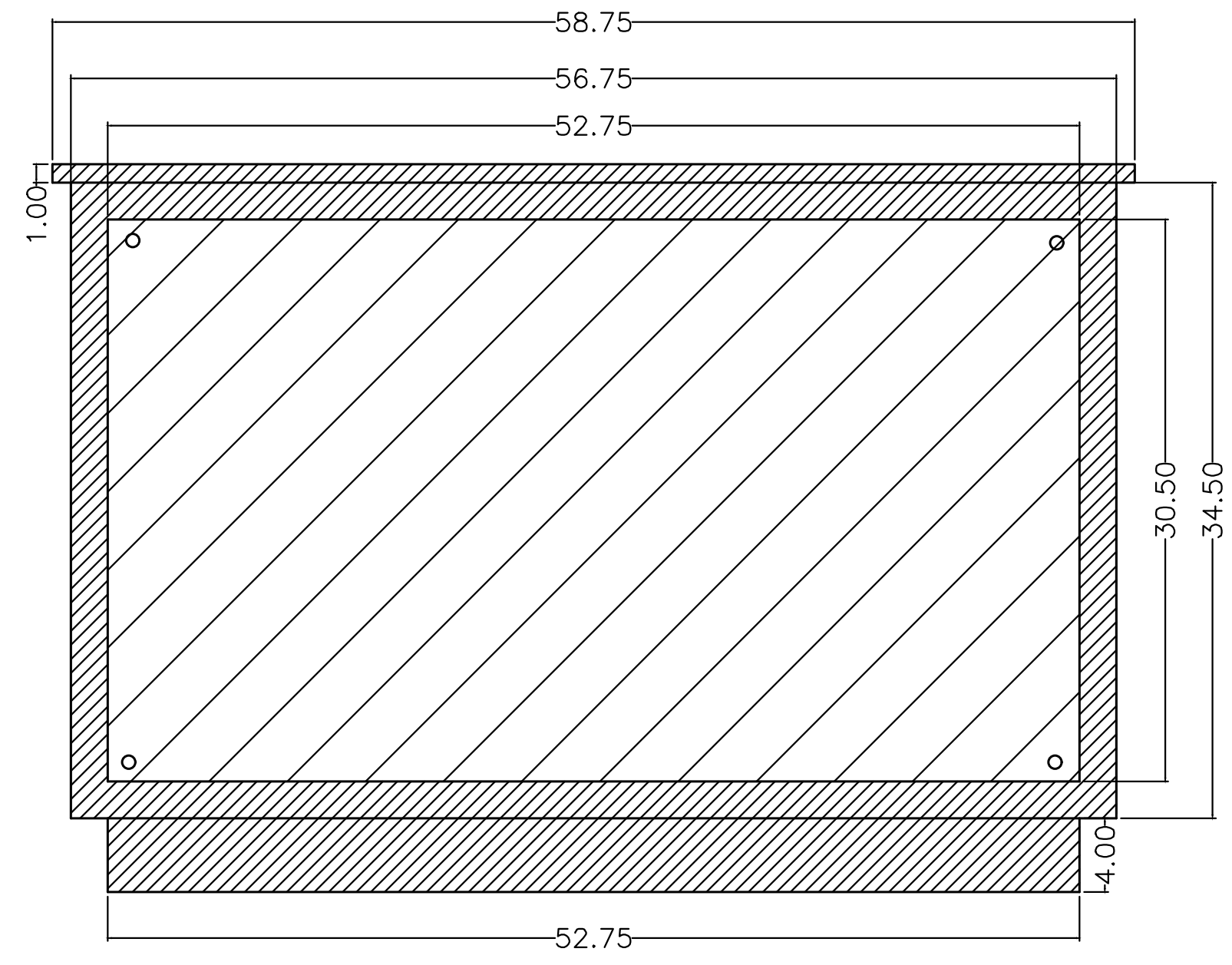
4

3

2

1

REVISIONS				
ZONE	REV	DESCRIPTION	DATE	APPROVED



FILE NAME	Desk.dwg			
CONTRACT NO	####			
DRAWN	04/19/2020			
CHECK				
APPR.				
ISSUED				
SIZE	FSCM NO	DWG NO	REV	
	-			
SCALE	1'-1/2"=1'-0"	WEIGHT	SHEET 0001	

Desk—Front View  
 Teamwork = Dreamwork  
 Lindsey Millerd