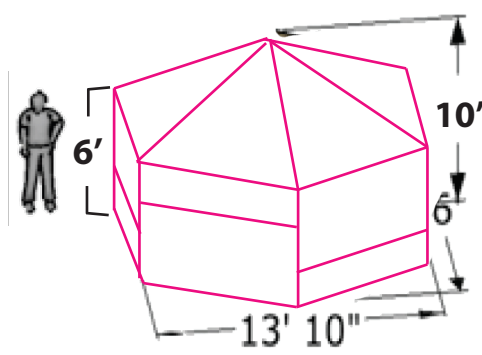
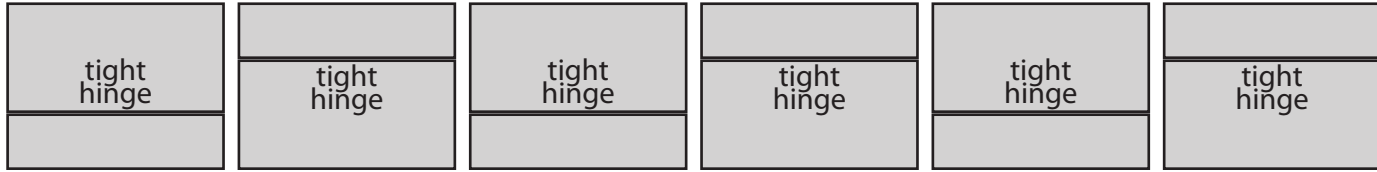


**Specifications:**

- 10' Hexayurt
- 166 square feet
- 15 sheets of 4' x 8' rigid insulation, at least 1" thick
- \_\_\_ feet of 3" tape
- \_\_\_ feet of 6" tape
- 2 people for 95% of the work
- Ships in 4' x 8' stack

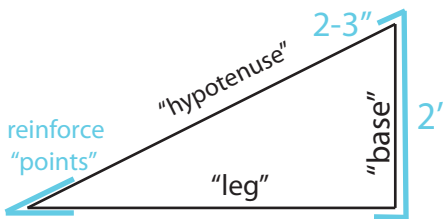
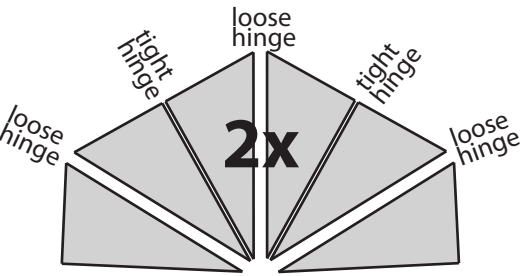


3 extra panels, 2' greater height.  
bvStructural tolerance in play winds: unknown



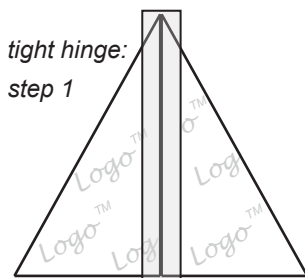
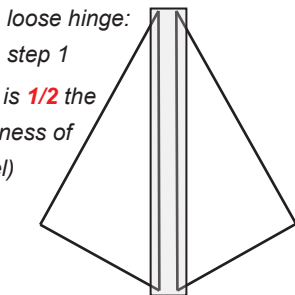
**Finished product: 2 roof halves, 6 wall panels.**

On-playa assembly: compose roof cone as usual. Join the wall panels with 6" tape, from the outside of the walls or the "non-logo side" of the panels. Leave a gap with the loose hinge: the same thickness as the panels.



Taping plan: before making hinges, seal the following raw edges with 3" wide tape:

- 4' sides of all rectangles
- 2' side and 'points' of triangles). You will have 6 edges to seal after making hinges.



The roof hinges are more difficult. Start with the loose hinge--the gap is 1/2 the thickness of the panel (using 1" panels, gap=1/2". If 2" panels, 1" gap, etc). Step 1 of the roof loose hinge is on the non-logo side of the panels. Repeat this hinge 6 times.

The tight hinge is the same as for the walls. Repeat 4 times. You now have 2 roof halves.