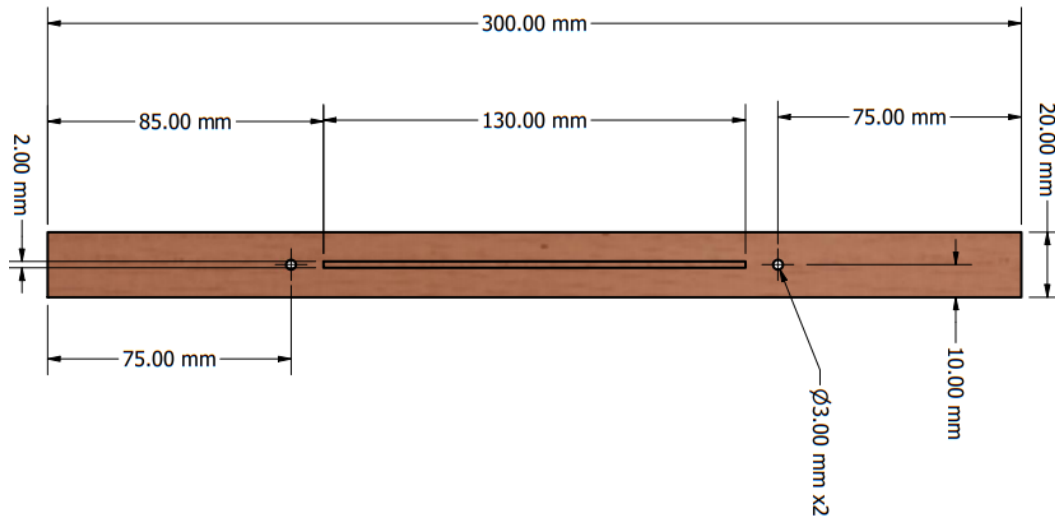
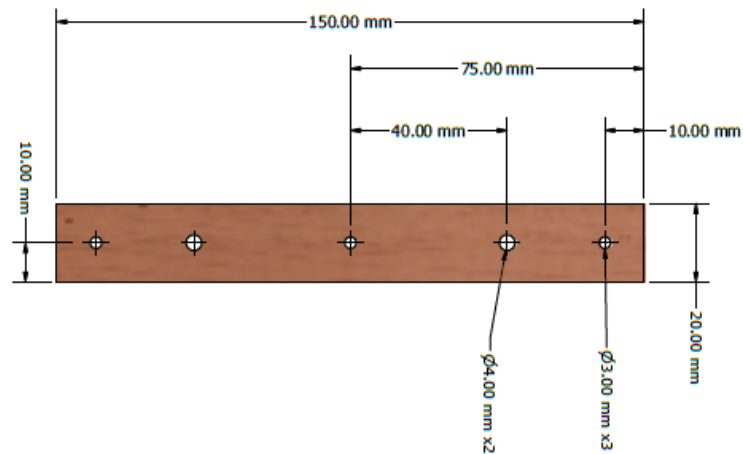


Wood pieces diagrams



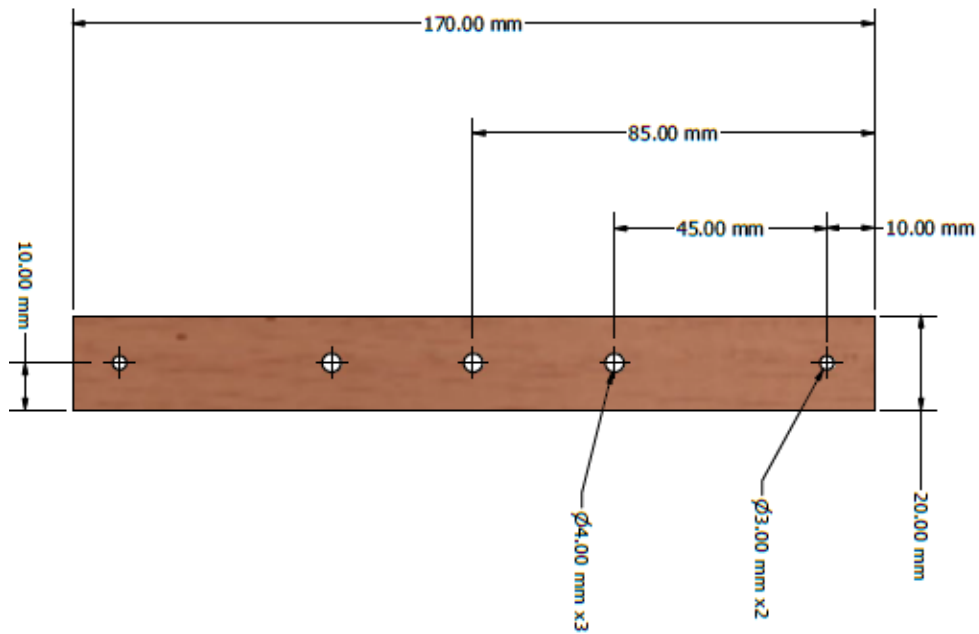
Note: The thickness is 20 mm

Part code	Material	Units
S-301, S-302, I-301, I-302	Pinewood	4



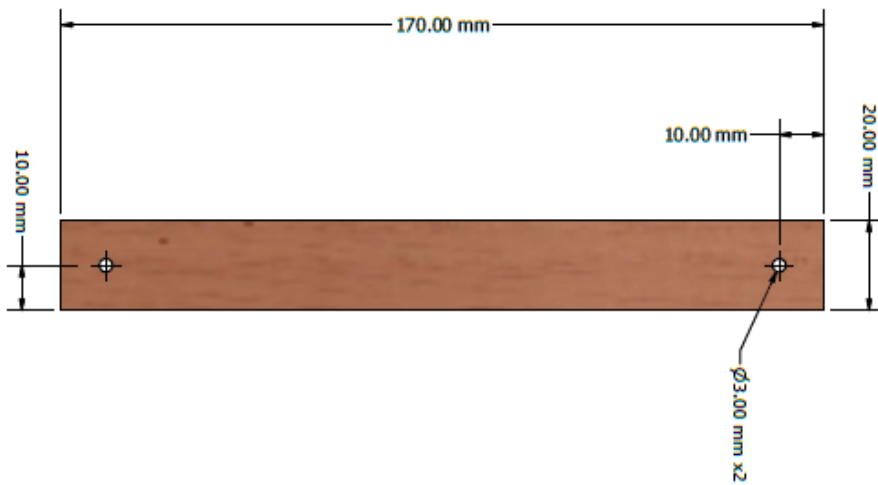
Note: The thickness is 20 mm

Part code	Material	Units
S-151, S-152, I-151, I-152	Pinewood	4



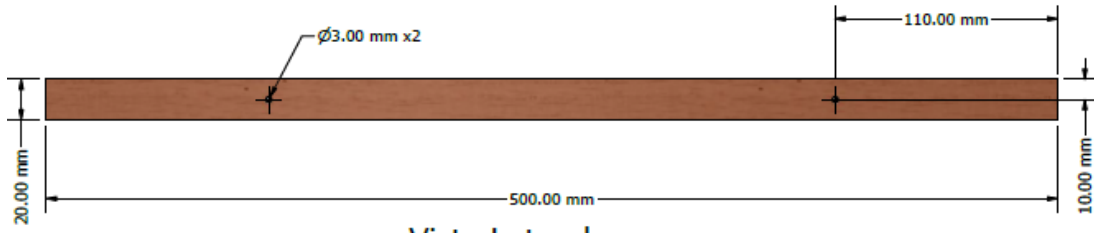
Note: The thickness is 20 mm

Part code	Material	Units
S-171	Pinewood	1



Note: The thickness is 20 mm

Part code	Material	Units
I-171	Pinewood	1

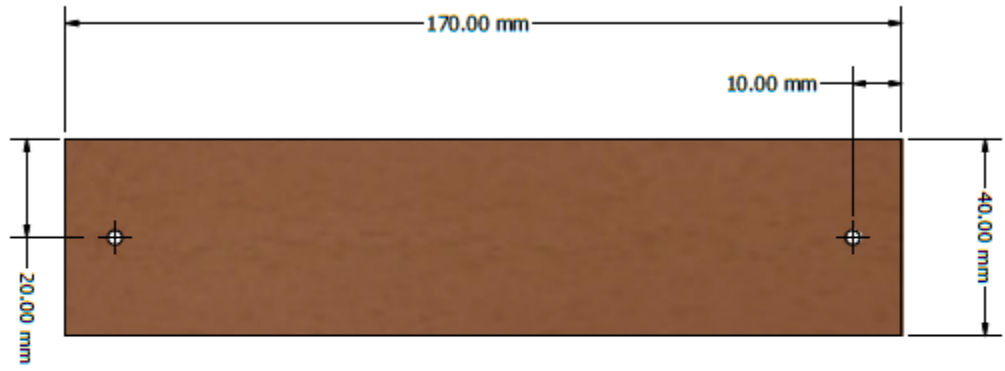


Vista Lateral

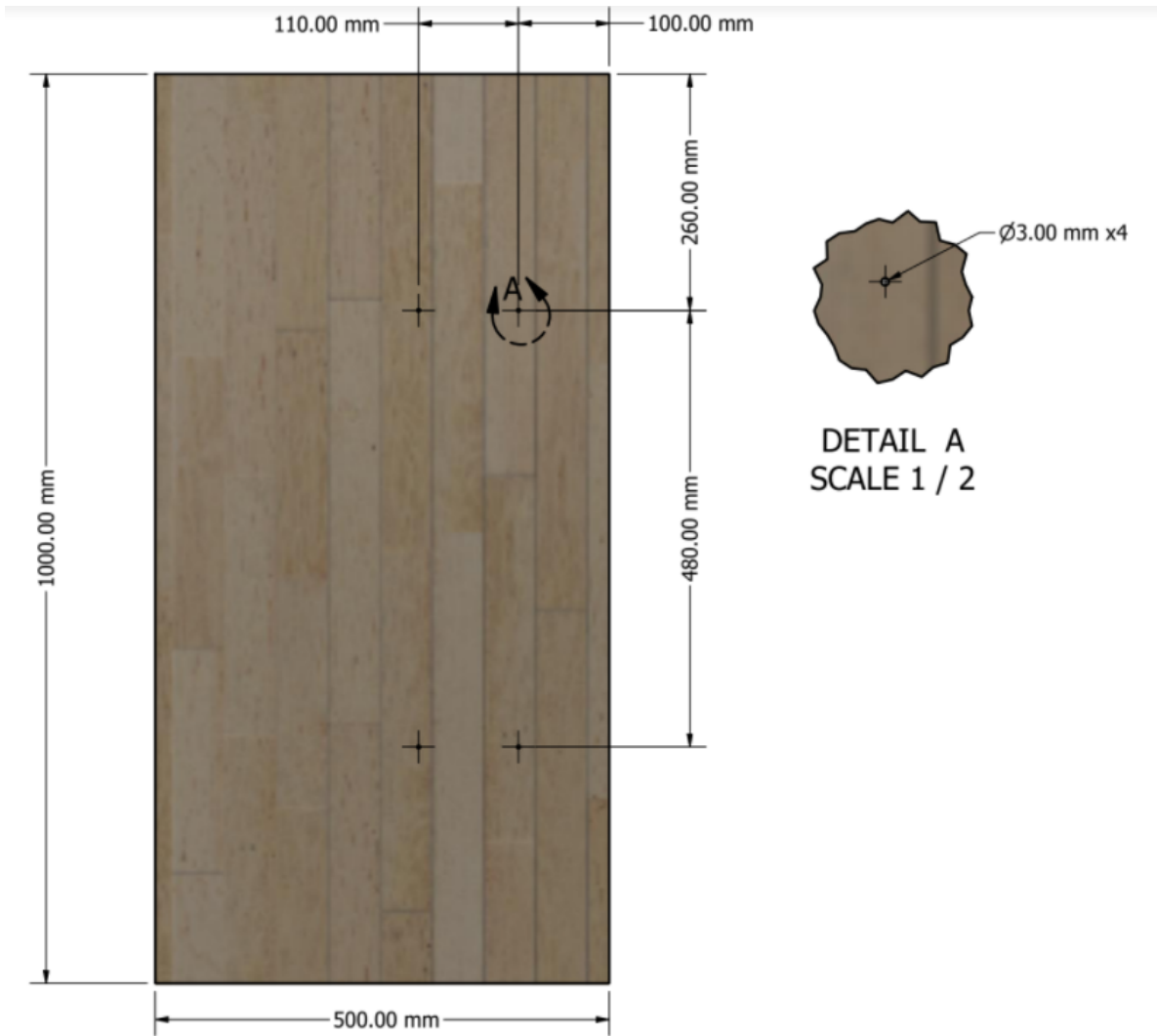


Vista Superior

Part code	Material	Units
B-101, B-102	Pinewood	2



Part code	Material	Units
B-103, B-104, B-105, B-106	Pinewood	4



Note: The thickness is 6 mm

Part code	Material	Units
B-105	Pinewood	1